

The 14th International Workshop on Advanced Genomics

“Complete human genome and beyond”

Sponsorship Prospectus

- Platinum Sponsorship
- Gold Sponsorship
- Silver Sponsorship
- Exhibition
- Technology Presentation
- Abstract Advertisement
- Conference bag Sponsorship
- Lunch Box Sponsorship
- Drink Sponsorship

*Price includes Japanese consumption tax

January 2023

Welcome Your Sponsorship for The 14th International Workshop on Advanced Genomics

Dear Manager,

"The International Workshop on Advanced Genomics" has been held 13 times to date with your corporate support and has gained a high reputation from participants thanks to the quality lecturers and their quality presentations. I would like to express my sincere gratitude for the continued support for this workshop.

Now, the advancement of next-generation sequencing technology has dramatically propelled the field of genomics forward, such as an advanced medical care "cancer gene panel testing" that has started as an approach to medical application at core Center for Genomic Medicine since 2020 in Japan. Cancer genome data serves as an evidence to determine the most appropriate treatment for patients and also serves as essential information to identify the patient group targeted in the development of molecular targeted drugs, leading to a development of companion diagnostic testing that is expected to be a big impact on the pharmaceutical industries.

Development of genomic analysis technologies has been further accelerated, including long-read sequencing technologies such as nanopore sequencing that has become available for use in human genome sequencing. The development of analytical infrastructures for processing vast amounts of information and the deepening of analytical technologies, including artificial intelligence, have led to new data-driven discoveries in the life sciences, which are expected to lead to further applications and accelerate genome science research through international collaboration.

The 14th International Genome Conference, which had to be postponed due to the spread of the Covid-19 pandemic, is now scheduled on October 4-6, 2023, at the Hitotsubashi Hall in Tokyo under the theme "Beyond Complete Genomes" (tentative title), with the aim of looking at the latest achievements and new developments brought by new technologies in light of the rapid progress in genomic medical science.

In addition, the year 2023 marks the 20th anniversary of the completion of the first human genome sequence, so we believe that it is very meaningful to promote the results of genome research not only to researchers but also to the public. Therefore, we would like to ask for your continuing support in order to hold this conference, as we have done in the past.

The International Workshop on Advanced Genomics (hereinafter referred to as "AGW") provides exhibition and poster presentation venues at the Conference Rooms next to Hitotsubashi Hall where oral presentations are held. Nearly all participants will surely visit there during poster sessions. We also set a lunch break, and morning and afternoon coffee break hours to offer opportunities to positively appeal your products to many participants who will visit exhibition and poster presentation venues during break hours.

In addition, technology presentation is planned as independent sessions at the Main Hall, where you can make 30-minute oral presentation. We are sure of your effective use of this presentation as an opportunity to provide further information.

We would greatly appreciate your understanding of our intention to hold the AGW and your generous support.

Sincerely

HiroYuki Aburatani

Chairperson of Organizing Committee,

The 14h International Workshop on Advanced Genomics

The Organizing Committee of the 14th International Workshop on Advanced Genomics includes:

Hiroyuki Aburatani

Research Center for Advanced Science and Technology, The University of Tokyo

Sumio Sugano

Chiba University

Tatsuhiko Shibata

Institute of Medical Science, The University of Tokyo

Naomichi Matsumoto

Association of Medical Science, Yokohama City University

Yutaka Suzuki

Graduate School of Frontier Sciences, The University of Tokyo

Toshio Ota

Japan Science and Technology Agency

Kentaro Takahashi

Eisai Co., Ltd

Naoto Kondo

RIKEN GENESIS CO., LTD

Fumiko Yoshizaki

Agilent Technologies Japan, Ltd.

Shigenobu Fukushima

KIKO Tech Co., Ltd

Outline of the 14th International Workshop on Advanced Genomics

- Title: The 14th International Workshop on Advanced Genomics
- Date: October 4 (Wed) – 6 (Fri), 2023
- Venue: Hitotsubashi Hall, (Former National Center of Sciences Building)
Hitotsubashi University, 2-1-2, Hitotsubashi, Chiyoda-ku,
Tokyo 101-0003, Japan
- Host organization: Committee on Genome Technology,
- Organizing Committee Chairperson: Hiroyuki Aburatani (The University of Tokyo)
- Theme: “Complete human genome beyond”
- Number of participants: 500 participants (expected)
- Language: English
- Website: <https://www.14agw.jp/>

Program (planned)

Date	Venue	Morning	Afternoon		Evening
June 25	Hitotsubashi Hall	Research Presentation 1	Sponsored Seminar	Research Presentation 2	
	Special Conference Room, 1F		Luncheon Meeting		
	Medium Conference Room, 2F	Sponsored Exhibition and Poster Presentation			
	Josui Kaikan				Welcome Reception
June 26	Hitotsubashi Hall	Research Presentation 3	Sponsored Seminar	Research Presentation 4	
	Special Conference Room, 1F		Luncheon Meeting		
	Medium Conference Room, 2F	Sponsored Exhibition and Poster Presentation			
	Josui Kaikan				Banquet
June 27	Hitotsubashi Hall	Research Presentation 5	Sponsored Seminar	Research Presentation 6	
	Special Conference Room, 1F		Luncheon Meeting		
	Medium Conference Room, 2F	Sponsored Exhibition and Poster Presentation			

Session themes (Planned):

- Cancer Genomics
- Banking/ Variation
- Clinical Sequence
- Medical Genomics
- Metagenome
- Emerging Technology

Platinum Sponsorship

JPY 3,300,000

Sponsorship benefits include opportunities to:

1. Make one technology presentation,
2. Use two exhibition booth spaces,
3. Place your advertisement on the front cover page 4 of the Booklet of Abstracts,
4. Place your logo on the website of the 14th International Workshop on Advanced Genomics,
5. Insert your flyers (up to 3 types) in conference bag,
6. Insert your promotional giveaways (up to 2 types) in conference bag,
7. Receive invitation of up to 5 persons to the conference and the banquet, and
8. Display your logo on the hanging signboard in the presentation venue.

Gold Sponsorship

JPY 2,200,000

Sponsorship benefits include opportunities to:

1. Make one technology presentation,
2. Use one exhibition booth space,
3. Place your advertisement on the back cover page of the Booklet of Abstracts,
4. Place your logo on the website of the 13th International Workshop on Advanced Genomics,
5. Insert your flyer (up to 1 type) in conference bag,
6. Insert your promotional giveaways (up to 2 types) in conference bag,
7. Receive invitation of up to 3 persons to the conference and the banquet, and
8. Display your logo on the hanging signboard in the presentation venue.

Silver Sponsorship

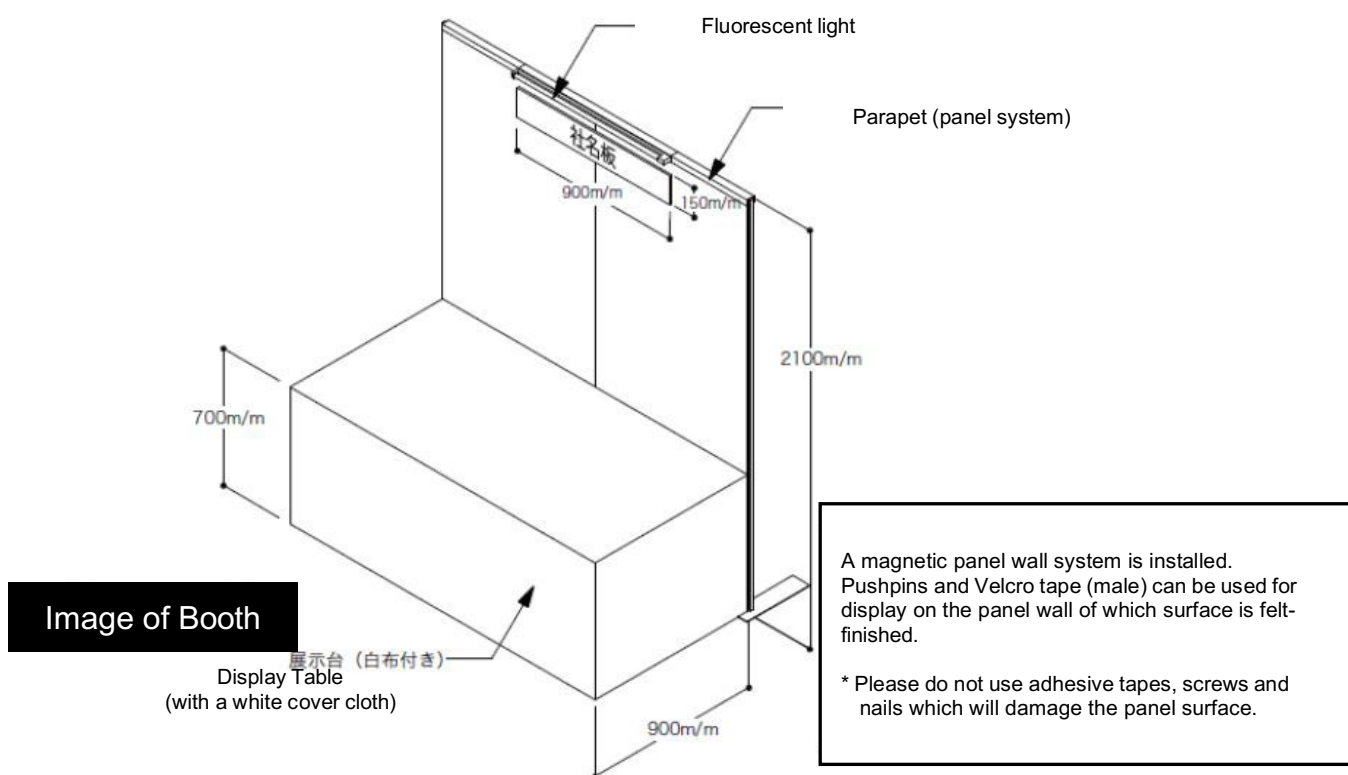
JPY 1,320,000

Sponsorship benefits include opportunities to:

1. Make one technology presentation,
2. Use one exhibition booth space,
3. Place your logo on the website of the 14th International Workshop on Advanced Genomics,
4. Receive invitation of up to 2 persons to the conference and the banquet.

Exhibition

- Date: Oct 04 (Wed), 2023 9:00 to 17:00 (planned)
 Oct 05 (Thu), 2023 9:00 to 17:00 (planned)
 Oct 06 (Fri), 2023 9:00 to 15:00 (planned)
 * Please note that the move in and out times are subject to change.
- Venue: Hitotsubashi Hall, Hitotsubashi University
 2-1-2, Hitotsubashi, Chiyoda-ku, Tokyo 101-0003, Japan
 * Medium Conference Rooms 1, 2, 3 & 4 (Same rooms as those of Poster Presentation)
- Move In and Out Times: Move In: Oct 03 (Tue), 2023 16:00 to 18:00 (planned)
 Move Out: Oct 06 (Fri), 2023 15:00 to 17:00 (planned)
 * Please note that the move in and out times are subject to change.
- Booth Spec.: Type I (devices, reagents, etc.)



* If you wish to sell books, please contact the 14AGW Secretariat as stated below.

- Booth Fee: Type I (Devices, reagents, etc.): JPY 330,000 per booth
- Electricity Fee: For use of electricity (100 V), the tentative power source installation fee and the electricity consumption fee are billed to each exhibitor. Electricity fees are as shown below:
 From 100 W up to 500 W: JPY 16,000
 From 501 W up to 1 kW: JPY 21,000

* For electricity consumption over 1 kW, an extra electricity consumption will be charged JPY 10,000 per kW.
 * If you need power supply of 200 V, please consult us separately.
 * For booth decoration, please consult us separately (including special decoration by other vendor)

- Application: Please fill out the specified Application Form and send it to the Secretariat by FAX or E-mail.

- Application Deadline: Monday, August 21, 2023
 - * Please apply as soon as possible as the number of booth spaces is limited.
 - * If the number of applications reaches to the specified number, application will be closed before the deadline.
 - * If you cancel your application 2 months before the exhibition, cancellation fee equal to 50% of the exhibition fee will be charged. Hereafter, cancellation fee equal to 100% of the exhibition fee will be charged.

- Application to: The 14th International Workshop on Advanced Genomics (14AGW)
Secretariat
c/o SK Apex Plan Co., Ltd.
Shintomi-Tadokoro Bldg. 4F, 2-4-14, Shintomi, Chuo-ku, Tokyo 104-0041,
Japan
FAX: +81-3-3523-3723 E-mail: 14agw@14agw.jp

**The 14th International Workshop on Advanced Genomics
Exhibition Application Form**

Date: _____

Company Name: _____

Address: _____

Contact Division: _____

Contact Person Name: _____

Phone: _____ Fax: _____

E-Mail: _____

URL: _____

Number of booths:	Exhibition fee: JPY
Electricity consumption: W	
Special decoration by your designated contractor: <input type="checkbox"/> Yes <input type="checkbox"/> No	
* If Yes, please describe the contractor name, person in charge, and contact address.	
Major contents of your exhibition: (Please describe the items to be exhibited)	

Application to: SK Apex Plan Co., Ltd.
FAX: +81-3-3523-3723 E-mail: 14agw@14agw.jp

Technology Presentation

- Venue: Hitotsubashi Hall, Hitotsubashi University
2-1-2, Hitotsubashi, Chiyoda-ku, Tokyo 101-0003, Japan
- Date: Oct 04 (Wed), Oct 05 (Thu), and Oct 06(Fri), 2023
Time to be determined
(during the opening hours of the workshop)
Presentation time: 30 minutes per session
- Presentation Fee: JPY 770,000
- Number of Presentations: Four presentations per day (maximum of 12 presentations)
- Application Deadline: Monday, July 21, 2023
- Abstract Submission Deadline: Thursday, August 21, 2023
* Please make all materials in English, and within 500 words,
including presentation title, speaker, and summary.
- Devices for Presentation: Devices furnished at the venue are used.
- Simultaneous Interpretation: Not available
- Application to: The 14th International Workshop on Advanced Genomics (14AGW)
Secretariat
c/o SK Apex Plan Co., Ltd.
Shintomi-Tadokoro Bldg. 4F, 2-4-14, Shintomi, Chuo-ku, Tokyo 104-0041,
Japan
FAX: +81-3-3523-3723 E-mail: 14agw@14agw.jp

* Please be reminded that no cancellation will be accepted, once we received your application.

**The 14th International Workshop on Advanced Genomics
Technology Presentation Application Form**

Date: _____

Company Name: _____

Address: _____

Contact Division: _____

Contact Person Name: _____

Phone: _____ Fax: _____

E-Mail: _____

URL: _____

Theme of Presentation:

(Please select your preferred date of presentation below and tick the box.)

Oct 04 (Wed) Oct 05 (Thu) Oct 06 (Fri)

● Outline (main theme, speaker, and contents of the presentation)

Application to: SK Apex Plan Co., Ltd.
FAX: +81-3-3523-3723 E-mail: 14agw@14agw.jp

Abstract Advertisement

■ Media: The 14th International Workshop on Advanced Genomics Guidance (tentative)

■ Distribution to: All participants

■ Number of copies: 500 copies (A4 size)

■ Advertisement fee:

Advertisement on	Space	Advertisement fee	Remarks
Front cover page 4	1 page	JPY 176,000	4 colors
Front cover page 2	1 page	JPY 132,000	4 colors
Front cover page 3	1 page	JPY 99,000	4 colors
Back cover page	1 page	JPY 66,000	Single color

■ Application deadline: Monday, July 31, 2023

■ Manuscript submission deadline: Thursday, August 31, 2023

■ Format: Fonts embedded, Illustrator CS3 or an earlier version or PDF 8.0 or an earlier version

■ Application method: Please send the Application Form by fax or E-mail.

■ Application to: The 14th International Workshop on Advanced Genomics (14AGW) Secretariat
c/o SK Apex Plan Co., Ltd.
Shintomi-Tadokoro Bldg. 4F, 2-4-14, Shintomi, Chuo-ku, Tokyo 104-0041, Japan
FAX: +81-3-3523-3723 E-mail: 14agw@14agw.jp

The 14th International Workshop on Advanced Genomics Abstract Advertisement Application Form

Date: _____

Company Name: _____

Address: _____

Contact Division: _____

Contact Person Name: _____

Phone: _____ Fax: _____

E-Mail: _____

▼ We hereby apply for the advertisement in the Booklet of Abstracts.

(Please select your preferred advertisement below and tick the box.)

- | | | | | |
|--------------------------|--------------------|--------|-------------|--------------|
| <input type="checkbox"/> | Front cover page 4 | 1 page | JPY 176,000 | 4 colors |
| <input type="checkbox"/> | Front cover page 2 | 1 page | JPY 132,000 | 4 colors |
| <input type="checkbox"/> | Front cover page 3 | 1 page | JPY 99,000 | 4 colors |
| <input type="checkbox"/> | Back cover page | 1 page | JPY 66,000 | Single color |

▼ If you have any questions or inquiries, please do not hesitate to comment here.

The Secretariat will contact you separately.

Application to: SK Apex Plan Co., Ltd.
FAX: +81-3-3523-3723 E-mail: 14agw@14agw.jp

Conference Bag Sponsorship

Your company logo will be printed on the conference bag distributed to all participants.

- Sponsorship fee: JPY 660,000
- Number of sponsorships: 1 company
- Application method: Please send the Application Form by fax or E-mail.
- Application deadline: Thursday, August 31, 2023
- Remarks: Please provide your logo data in .jpeg or .gif format.
- Application to: The 14th International Workshop on Advanced Genomics (14AGW) Secretariat
c/o SK Apex Plan Co., Ltd.
Shintomi-Tadokoro Bldg. 4F, 2-4-14, Shintomi, Chuo-ku, Tokyo
104-0041, Japan
FAX: +81-3-3523-3723 E-mail: 14agw@14agw.jp

**The 14th International Workshop on Advanced Genomics
Conference Bag Sponsorship Application Form**

Date: _____

Company Name: _____

Address: _____

Contact Division: _____

Contact Person Name: _____

Phone: _____ Fax: _____

E-Mail: _____

▼ If you have any questions or inquiries, please do not hesitate to comment here.

The Secretariat will contact you separately.

**Application to: SK Apex Plan Co., Ltd.
FAX: +81-3-3523-3723 E-mail: 14agw@14agw.jp**

Lunch Box Sponsorship

- Venue
Medium Conference Room, 2nd Floor (Poster Presentation and Exhibition venue), Hitotsubashi Hall, Hitotsubashi University
 - A table (W1,800 mm X D600 mm) per sponsor
 - An easel
 - A title board (sponsor's name will be displayed)
 - A table will be arranged with the advertisement of each sponsor.
 - Each sponsor can distribute its advertisement brochures.

- Sponsorship fee: JPY 396,000 per day

- Number of sponsorships: 3 companies

- Application method: Please send the Application Form by fax or E-mail.

- Application deadline: Thursday, August 31, 2023

- Application to:
The 14th International Workshop on Advanced Genomics (14AGW) Secretariat
c/o SK Apex Plan Co., Ltd.
Shintomi-Tadokoro Bldg. 4F, 2-4-14, Shintomi, Chuo-ku, Tokyo 104-0041, Japan
FAX: +81-3-3523-3723 E-mail: 14agw@14agw.jp

**The 14th International Workshop on Advanced Genomics
Lunch Box Sponsorship Application Form**

Date: _____

Company Name: _____

Address: _____

Contact Division: _____

Contact Person Name: _____

Phone: _____ Fax: _____

E-Mail: _____

▼ We hereby apply for the Lunch Box sponsorship.

(Please select your preferred date of lunch box provision below and tick the box.)

Oct 04 (Wed) Oct 05 (Thu) Oct 06 (Fri)

▼ If you have any questions or inquiries, please do not hesitate to comment here.

The Secretariat will contact you separately.

Application to: SK Apex Plan Co., Ltd.
FAX: +81-3-3523-3723 E-mail: 14agw@14agw.jp

Drink Sponsorship

- Venue
 - Medium Conference Room, 2nd Floor (Poster Presentation and Exhibition venue), Hitotsubashi Hall, Hitotsubashi University
 - A table (W1,800 mm X D600 mm) per sponsor
 - An easel
 - A title board (sponsor's name will be displayed)
 - A table will be arranged with the advertisement of each sponsor.
 - Each sponsor can distribute its advertisement brochures.

- Sponsorship fee: JPY 196,000 per day

- Number of sponsorships: 3 companies

- Application method: Please send the Application Form by Fax or E-mail.

- Application deadline: Thursday, August 31, 2023

- Application to:
 - The 14th International Workshop on Advanced Genomics (14AGW) Secretariat
 - c/o SK Apex Plan Co., Ltd.
 - Shintomi-Tadokoro Bldg. 4F, 2-4-14, Shintomi, Chuo-ku, Tokyo 104-0041, Japan
 - FAX: +81-3-3523-3723 E-mail: 14agw@14agw.jp

The 14th International Workshop on Advanced Genomics Drink Sponsorship Application Form

Date: _____

Company Name: _____

Address: _____

Contact Division: _____

Contact Person Name: _____

Phone: _____ Fax: _____

E-Mail: _____

▼ We hereby apply for the Drink sponsorship.

(Please select your preferred date of lunch box provision below and tick the box.)

Oct 04 (Wed) Oct 05 (Thu) Oct 06 (Fri)

▼ If you have any questions or inquiries, please do not hesitate to comment here.

The Secretariat will contact you separately.

Application to: **SK Apex Plan Co., Ltd.**
FAX: +81-3-3523-3723 E-mail: 14agw@14agw.jp